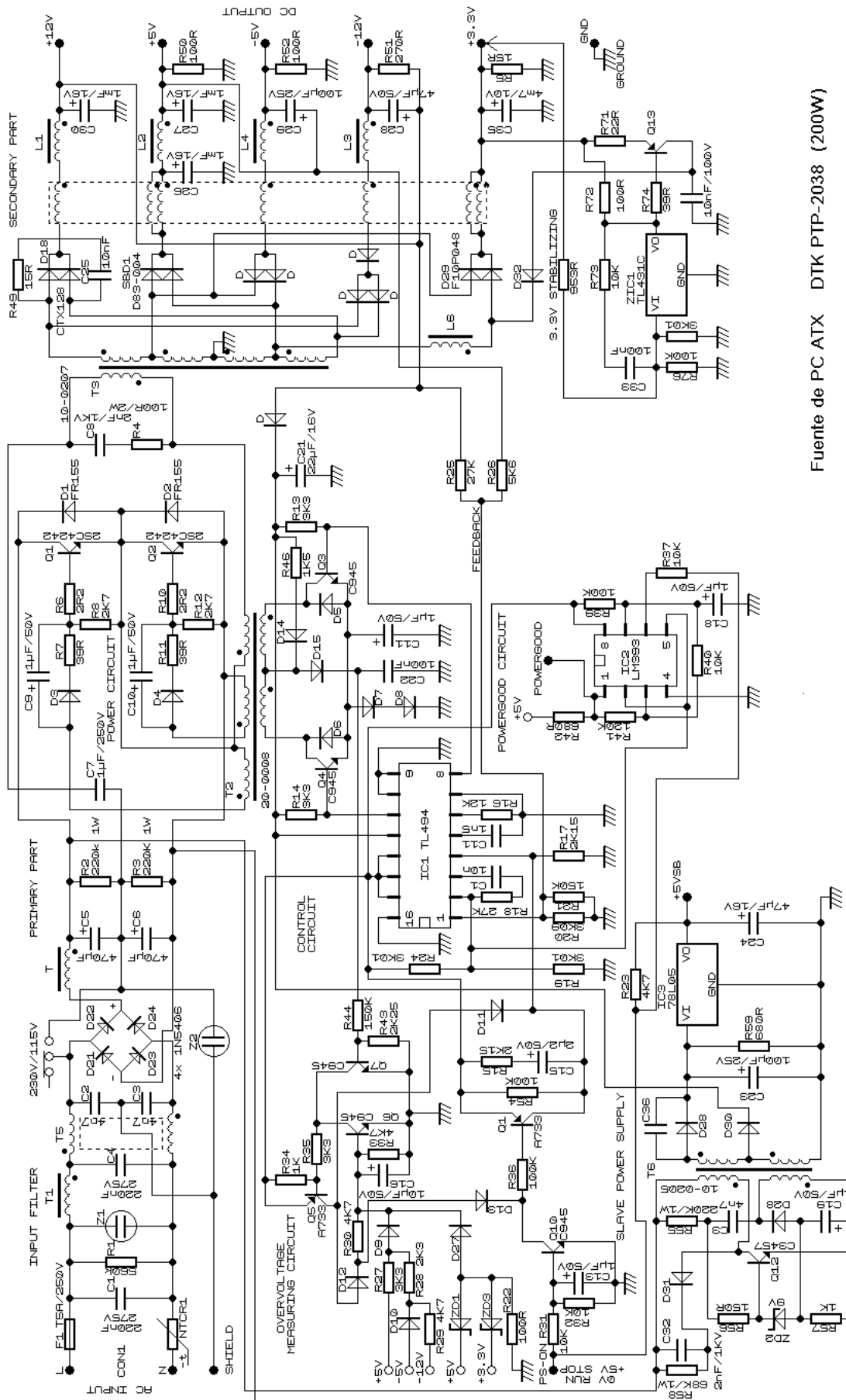


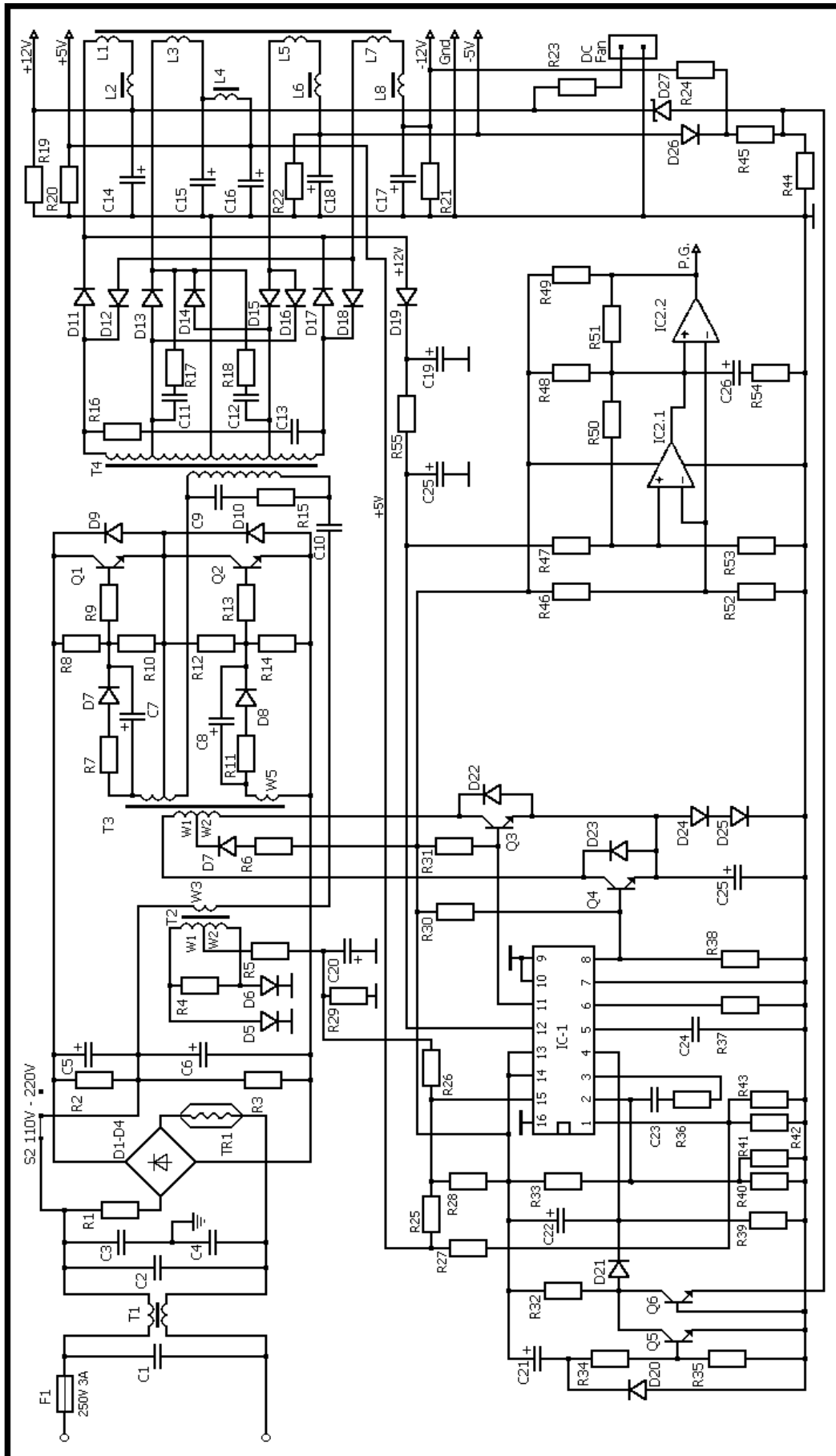
Diagramas de Fuentes de PC

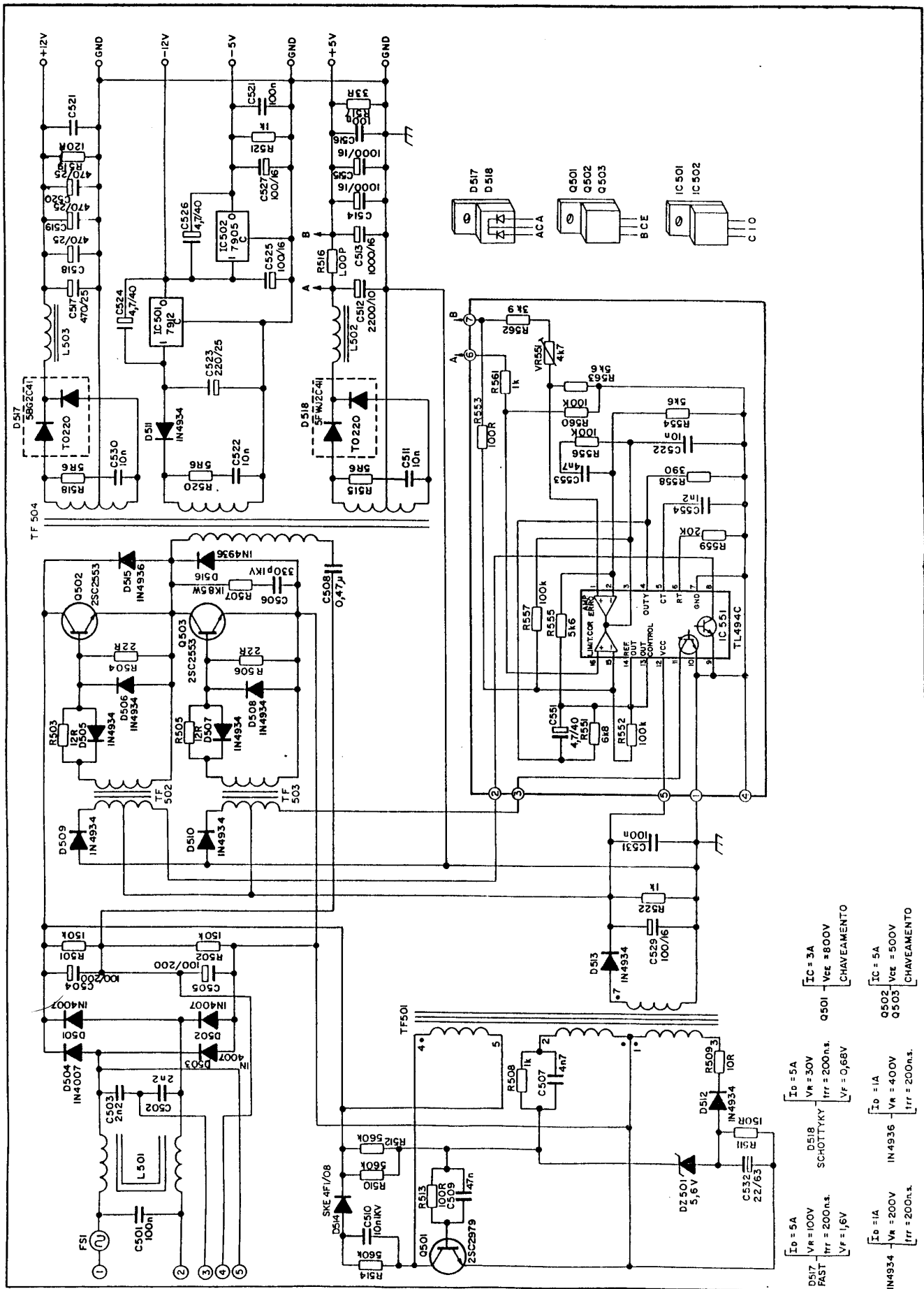
Cortesía de Web Electrónicos

www.lapaginade.com/electronicos



Fuente de PC ATX DTK PTP-2038 (200W)





- D517 FAST $I_D = 5A$ $V_R = 100V$ $t_{rr} = 200n.s.$ $V_F = 1,6V$
- D518 SCHOTTKY $I_D = 5A$ $V_R = 30V$ $t_{rr} = 200n.s.$ $V_F = 0,68V$
- Q501 $I_C = 3A$ $V_{CE} = 800V$ [CHAVEAMENTO]
- Q502 $I_C = 5A$ $V_{CE} = 500V$ [CHAVEAMENTO]
- Q503 $I_C = 5A$ $V_{CE} = 500V$ [CHAVEAMENTO]
- IN4934 $I_D = 1A$ $V_R = 200V$ $t_{rr} = 200n.s.$
- IN4936 $I_D = 1A$ $V_R = 400V$ $t_{rr} = 200n.s.$

